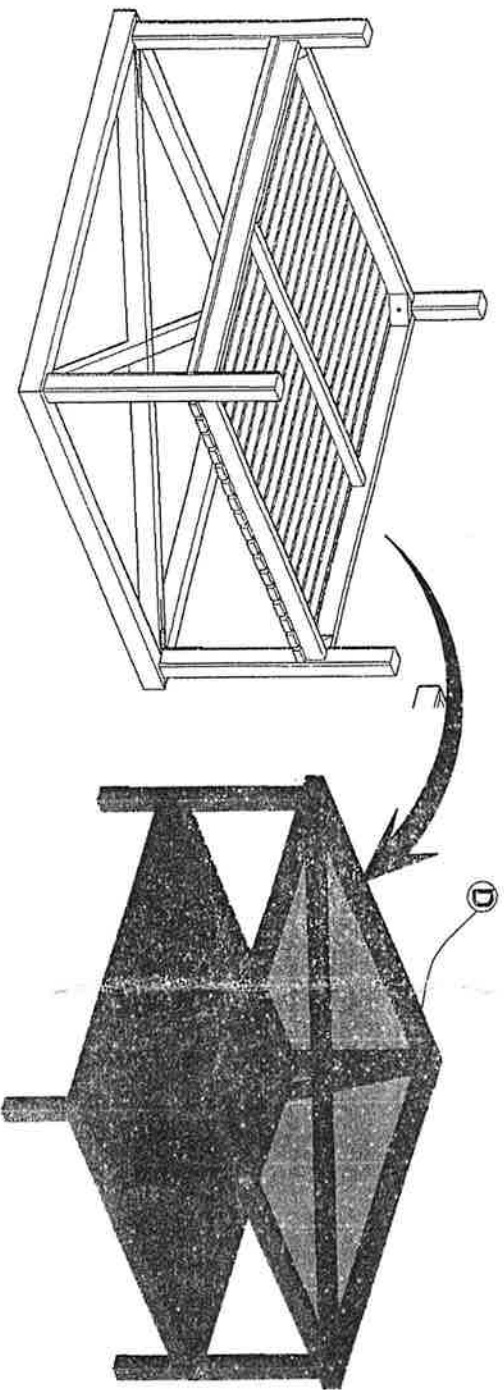
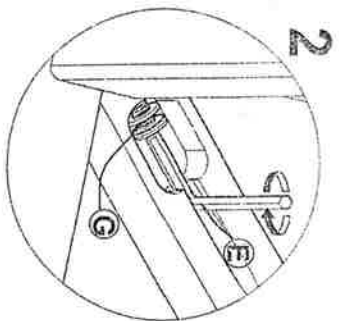
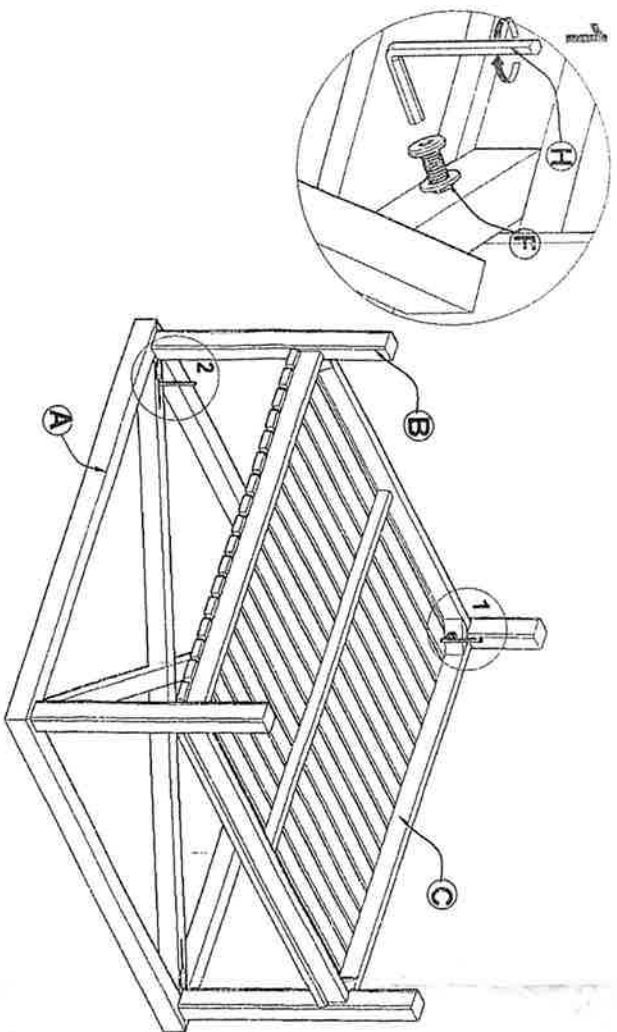
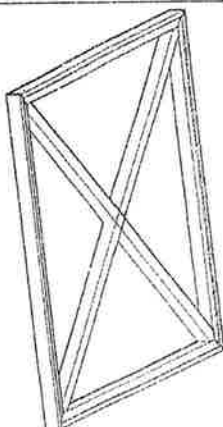

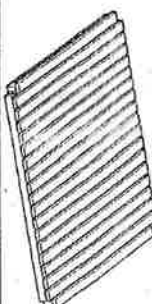







# ASSEMBLY INSTRUCTIONS

**VARM SQUARE TABLE  
TOP GLASS - KD**

**BUYER :  
BRAFIAB**



POST	QTY	COMPONENT
A	1	
B	4	
C	1	
D	1	 Tempered Glass
E	4	 M8 X 30 mm
F	4	 M6 X 60 mm
G	1	 KEY L5
H	1	 KEY L4