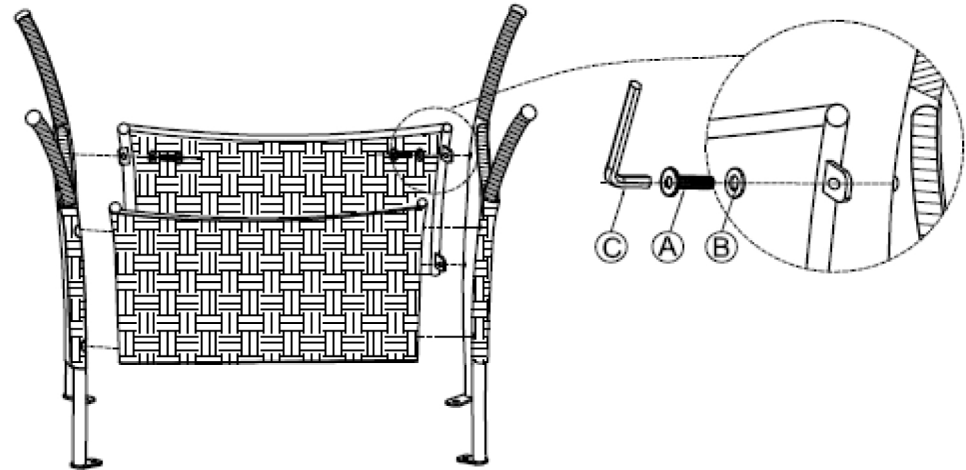
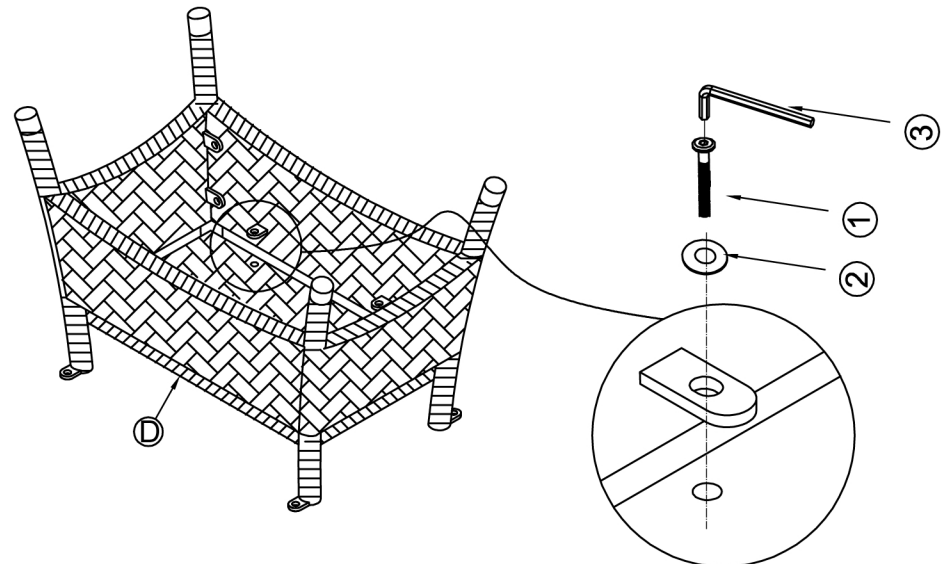


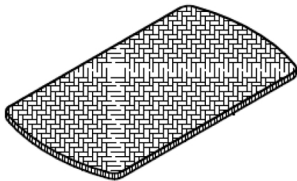
STEP 1:



STEP 2:



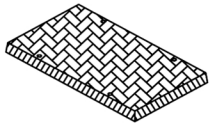
Ax1



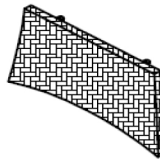
Bx2



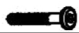


Dx1



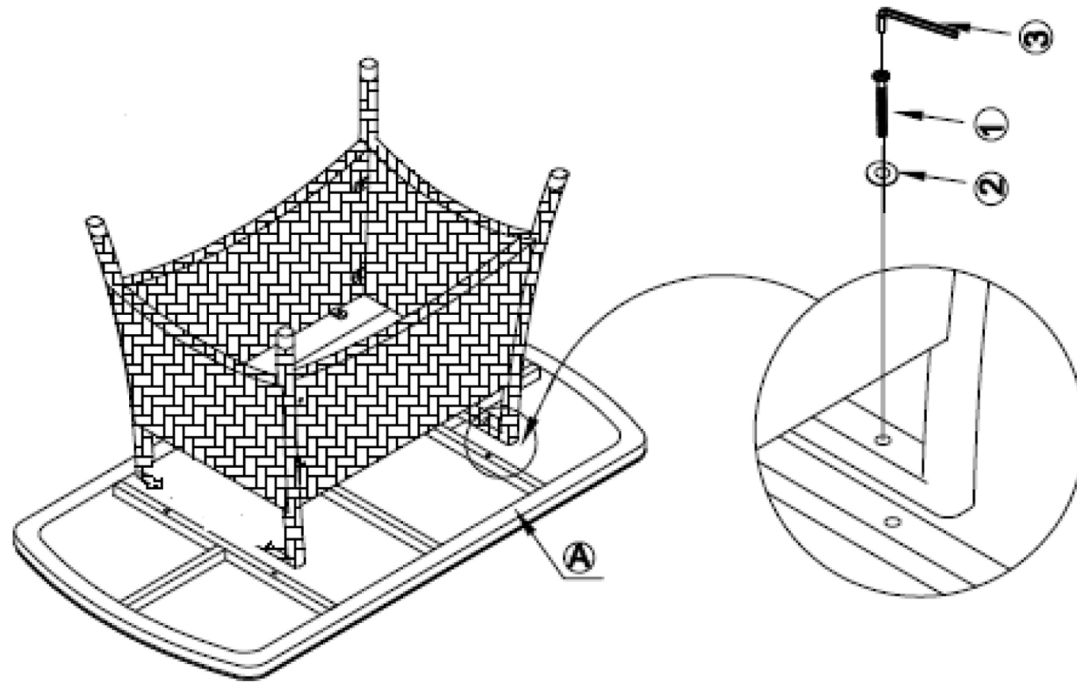
Cx2



HARDWARE LIST

Code	Description	Qty
1	BOLT M6x25mm 	16 pcs
2	FLAT WASHER 	16 pcs
3	ALLEN WRENCH 	1 pcs

STEP 3:



OBS!

Note: Tighten bolt and washer 80% only in each step.
Then tighten 20% more to complete