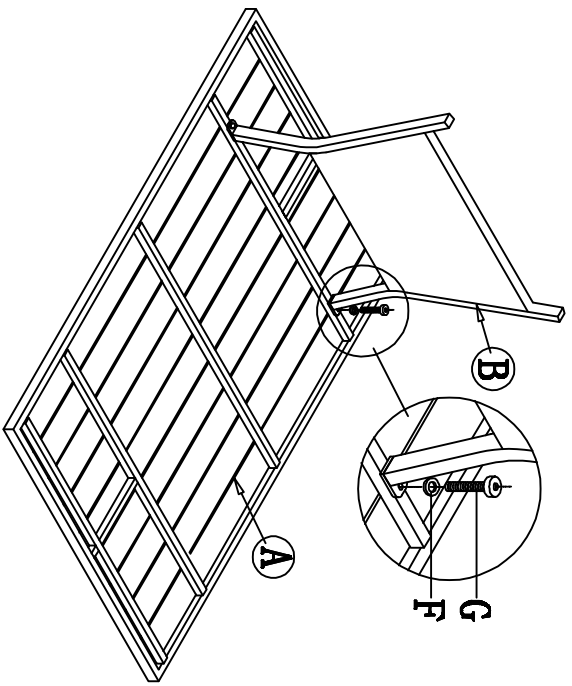
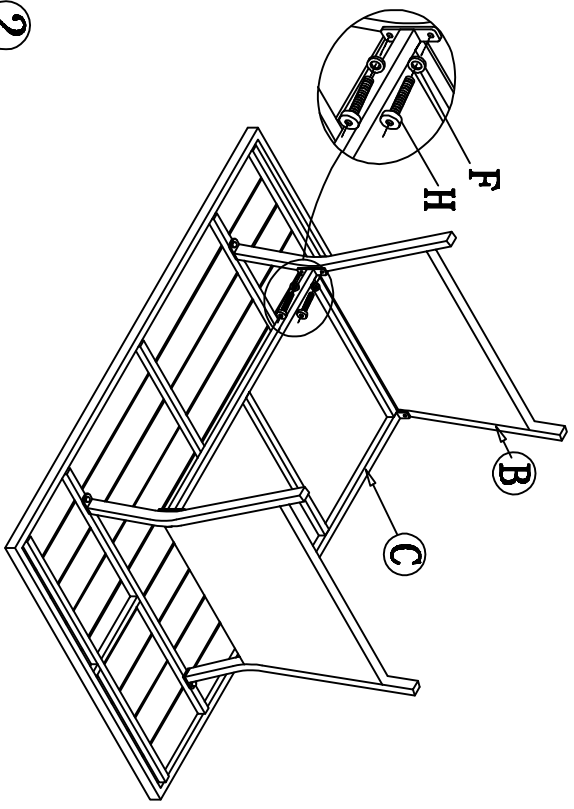


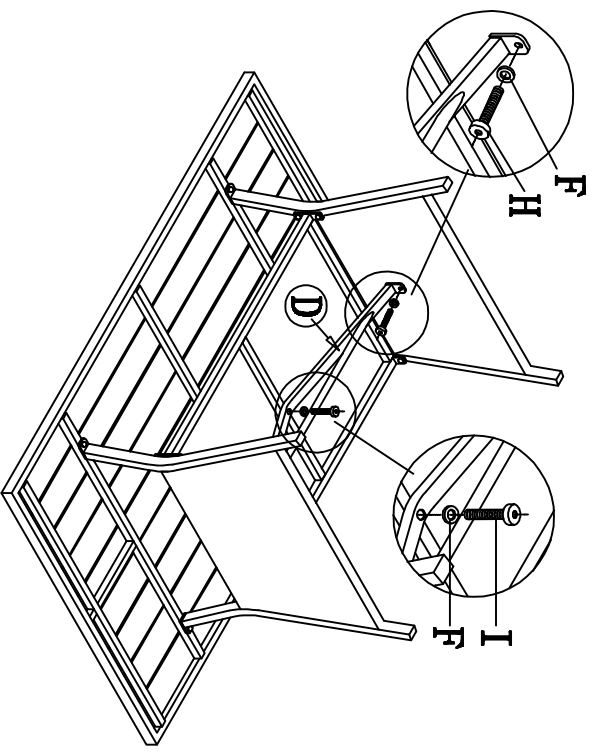
Assembly Instruction



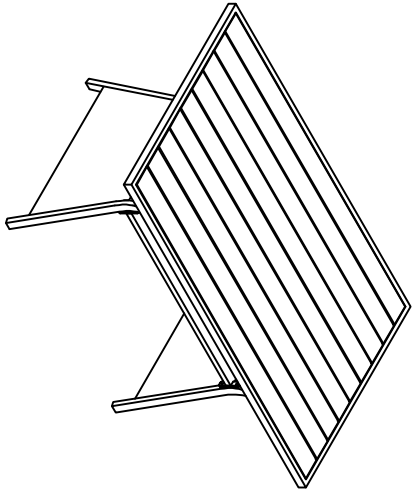
1



2



3



4

Part#	Part List	Description	QTY
A		Frame Table	1
B		Leg	2
C		BOARD	1
D		Supporting Tube	1
E		Spanner	1
F		Washer	15
G		M6*20MM Bolt	4
H		M6*25MM Bolt	10
I		M6*35MM Bolt	1