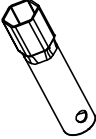




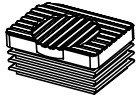
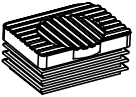

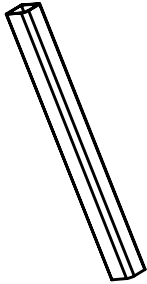
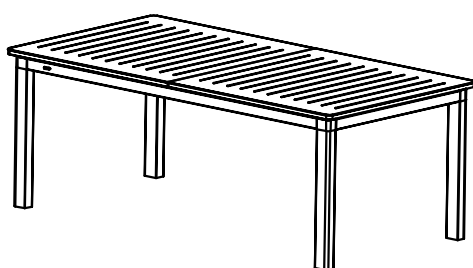
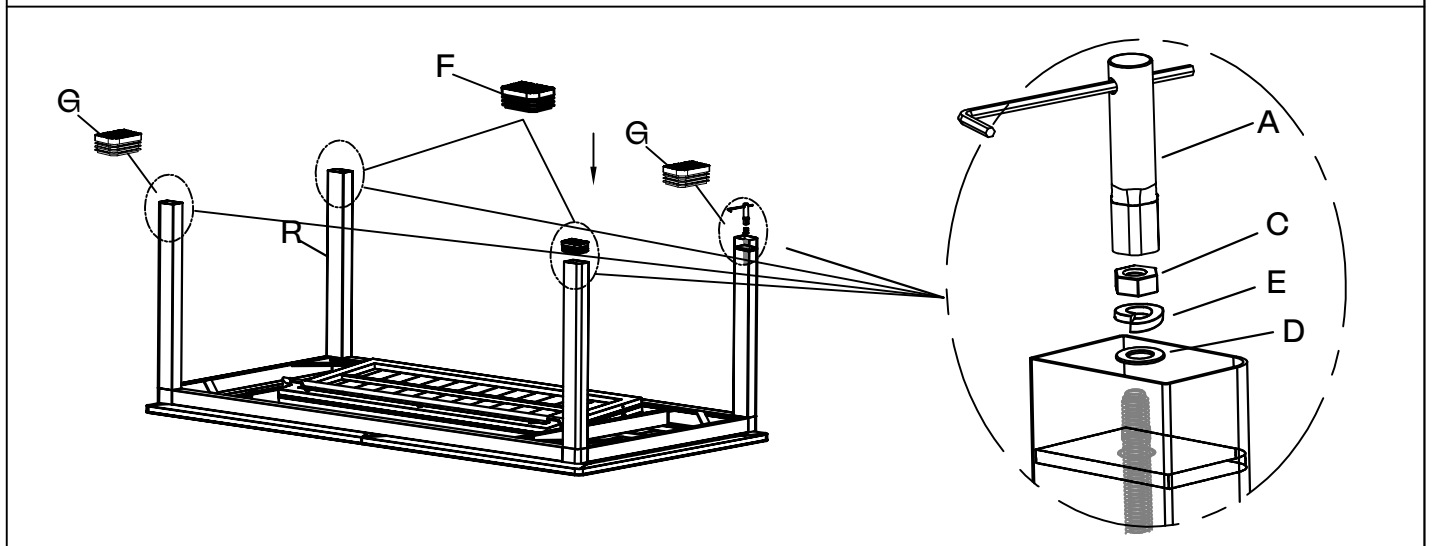
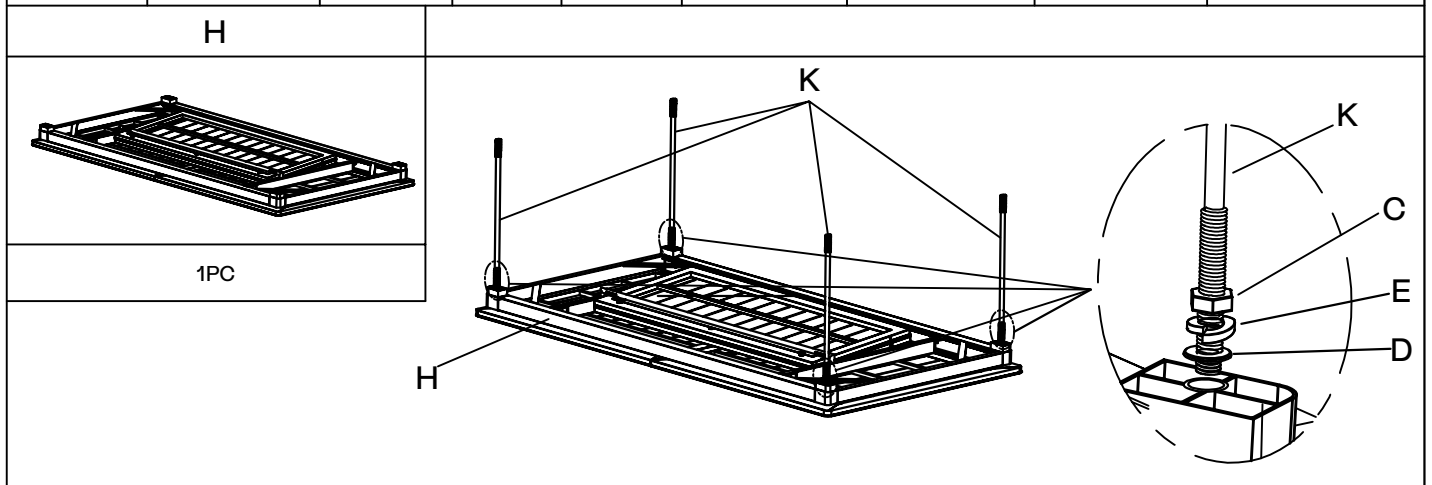
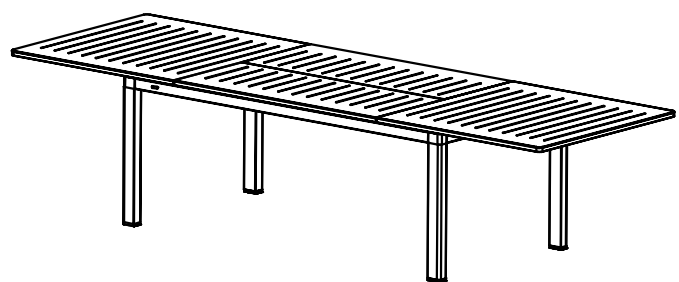


### Assembly instruction

A	B	C	D	E	F	G	K	R
	 4mm							
1PC	1PC	8PCS	8PCS	8PCS	2PCS	2PCS	4PCS	4PCS

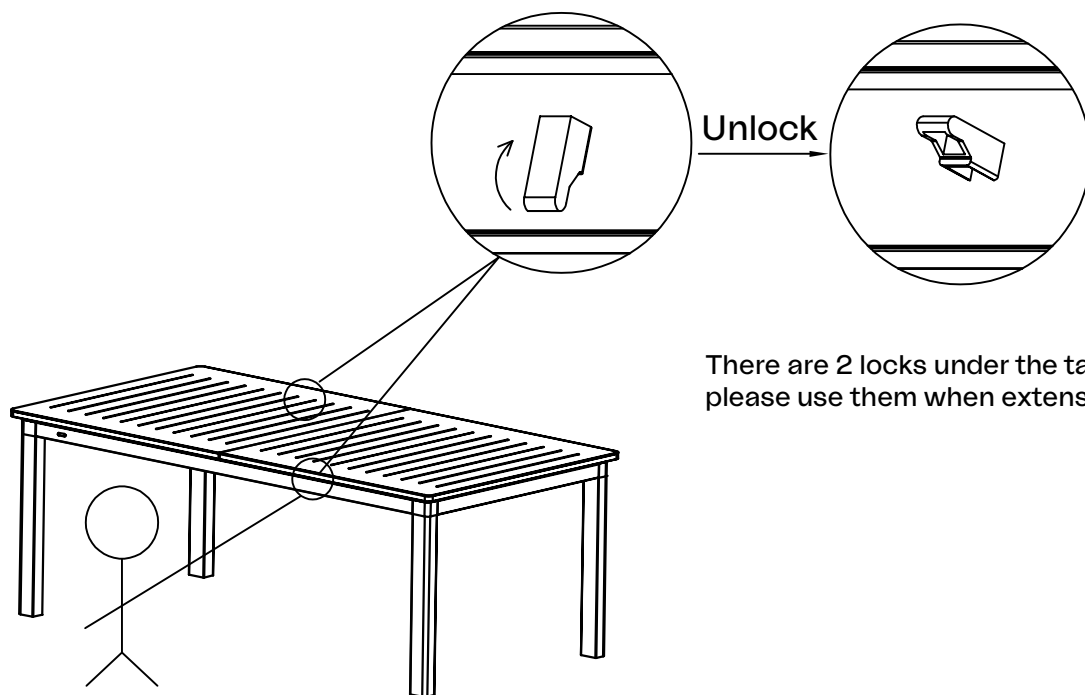


norm

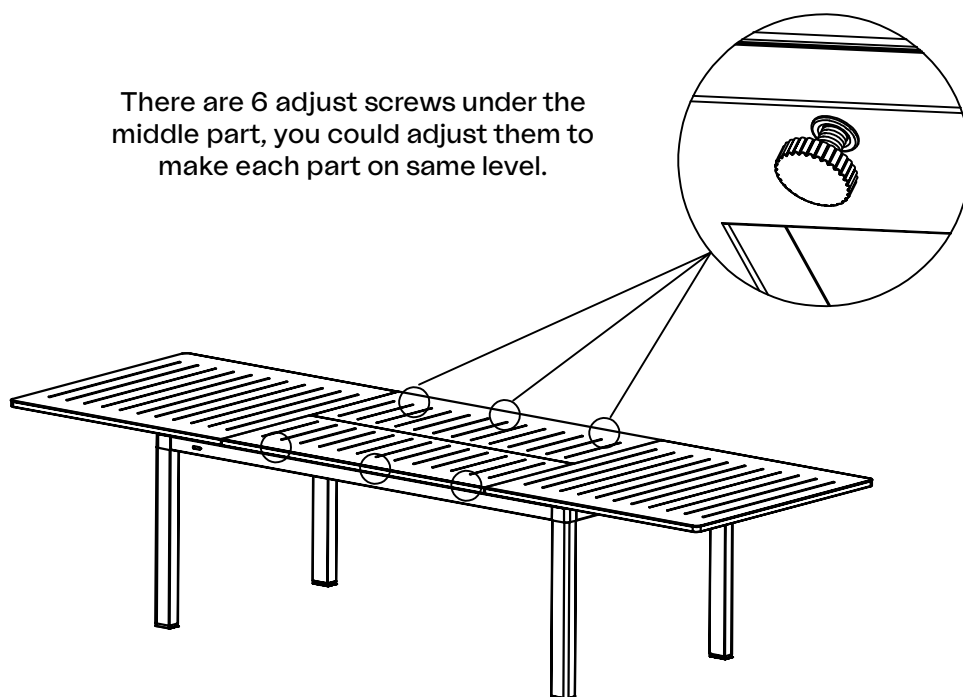


extension

### Assembly instruction



There are 2 locks under the table,  
please use them when extension.



There are 6 adjust screws under the  
middle part, you could adjust them to  
make each part on same level.