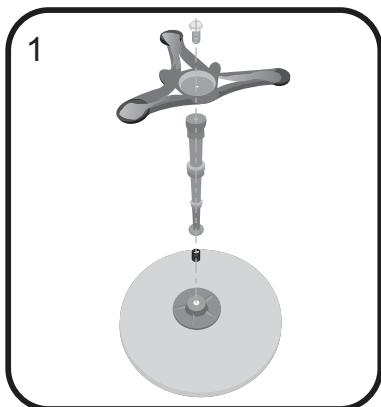
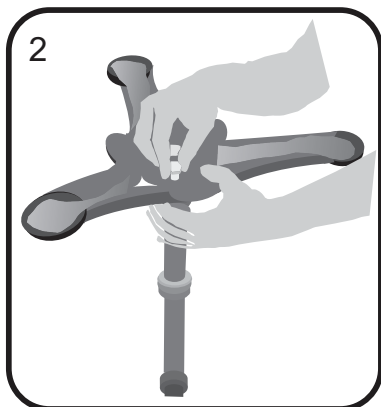


# Brafab

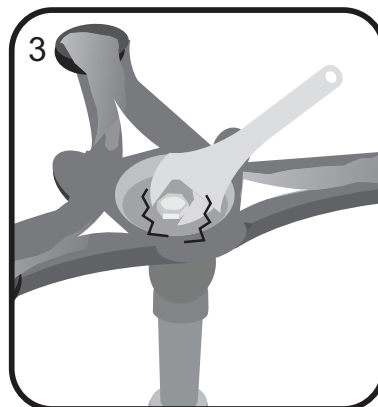
Outstanding Outdoor Spaces



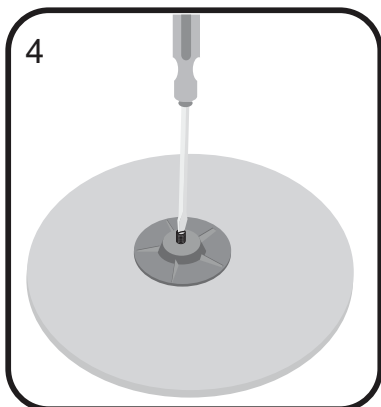
1  
Installation instructions for the round marble tables.



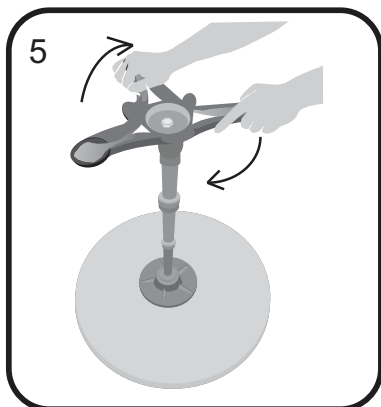
2  
Hold your foot against a table leg with one hand and insert the bolt with the other.



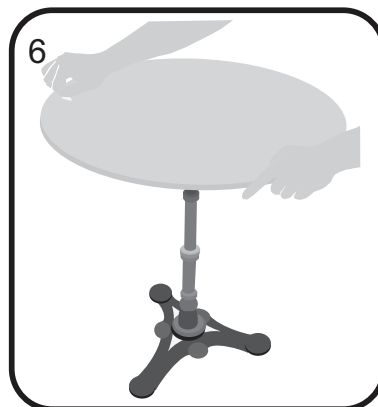
3  
Tighten the bolt with a spanner.



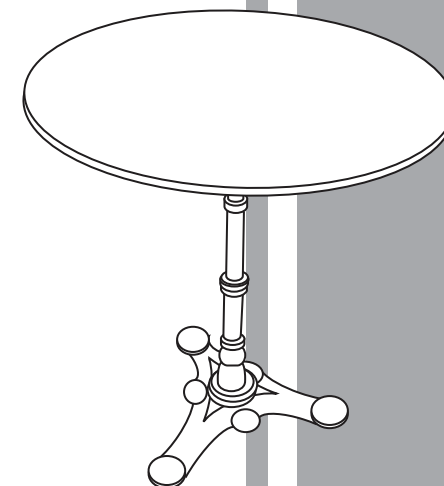
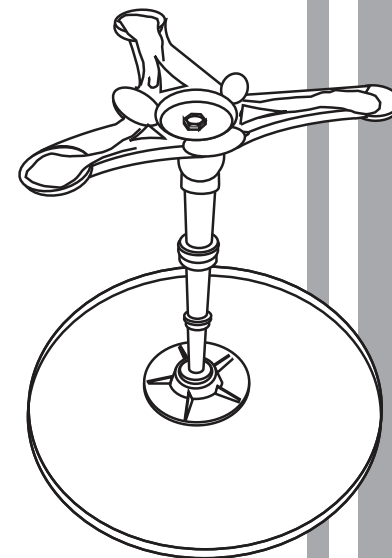
4  
Attach the other screw on the desk with a screwdriver.



5  
Fit the feet and legs on the table by turning them around clockwise.



6  
Check that the table top securely.



MARBLE TABLE  
Bord 60cm



5845  
5845-4  
5845-8