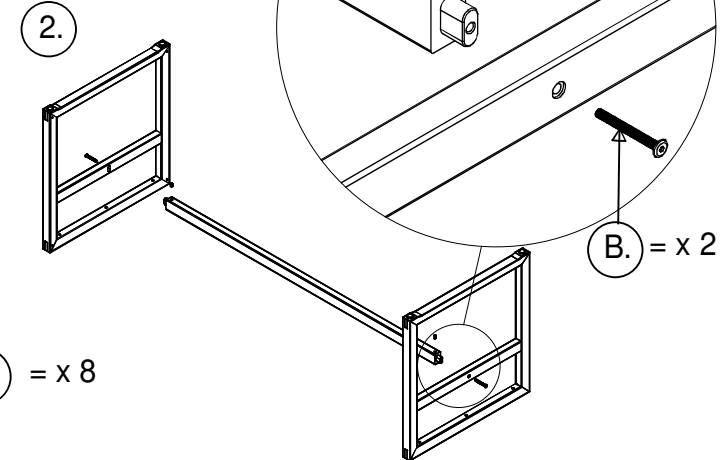
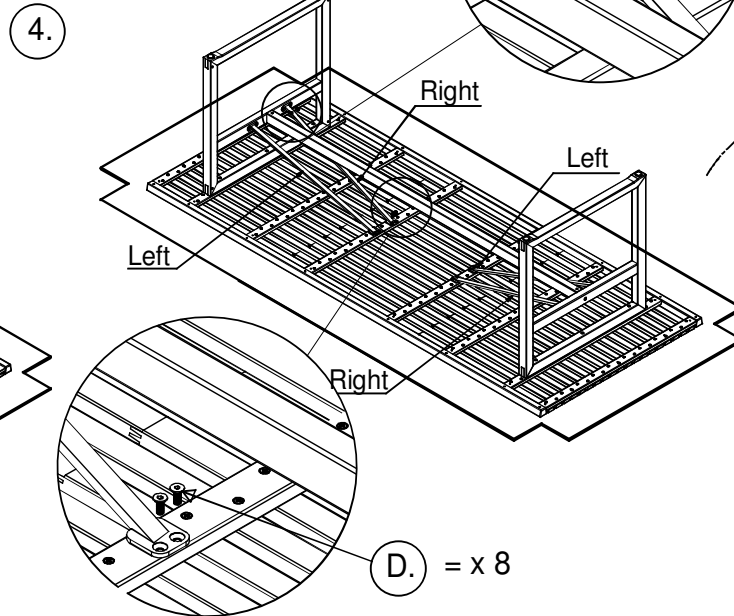
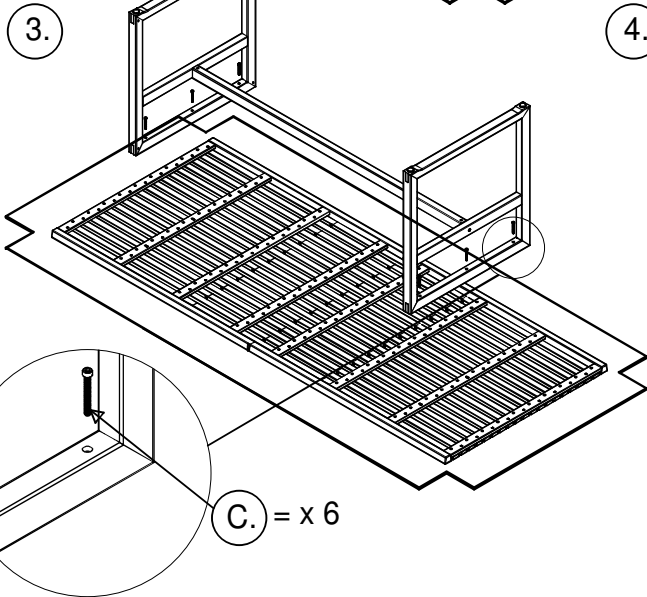
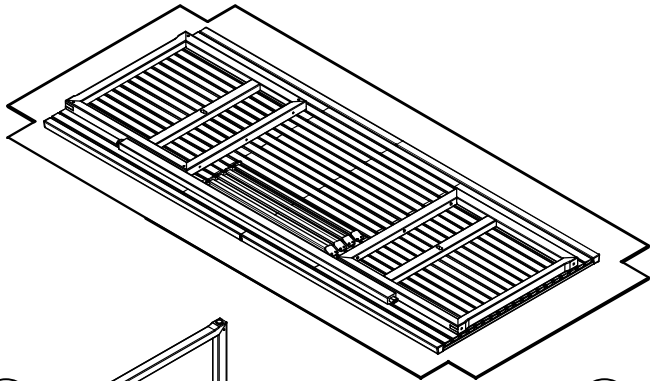


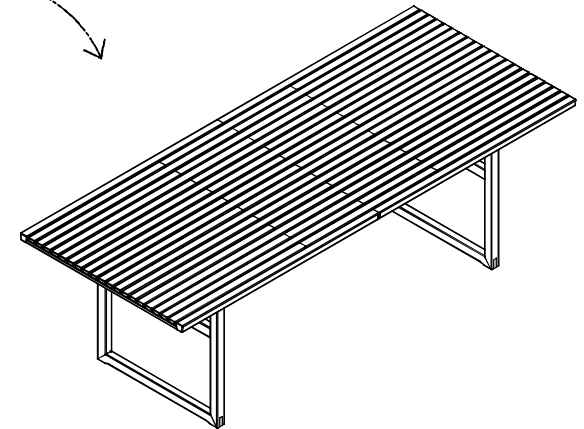
CUBE DINING TABLE

ASSEMBLY INSTRUCTION

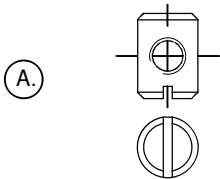
1. Use the carton as protective work surface by flattening out the sides and ends.



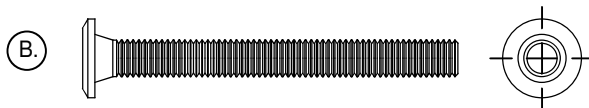
5. Turn the table right-side-up



CROSS DOWELS M6



BOLT JCBC M6x60



BOLT SOCKET HEAD M6x50



BOLT INSEX SCREW M6x16

